

**STORK®**

# EXPOSER RSE 3300

For exposure of lacquered screens



STORK PREPRINT SYSTEMS



Stork Preprint Systems  
 P.O. Box 177  
 5830 AD Boxmeer  
 The Netherlands  
 Tel. +31 485-599555  
 Fax +31 485-574068



**EXPOSURE OF LACQUERED SCREENS**

After a light-sensitive lacquer coating has been applied to the screens and this lacquer has been dried, the screens can be exposed. The Stork RSE 3300 Exposer enables a fast and efficient process, while guaranteeing a high quality, also thanks to the new exposure system that uses a parallel beam of light, so that side lighting is prevented.

**EASY TENSIONING OF SCREENS**

On the RSE 3300, screens are directly slid onto a tensioning roller with slotted tube, which makes handling both faster and easier. Thanks to this tube, only one length of tension roller is necessary for each repeat. Any screen length up to the length of the sleeve can be exposed.

**SIMPLE MARKING**

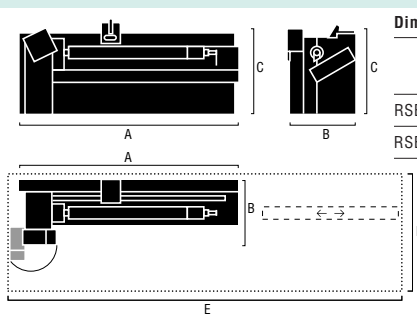
The screen will make exactly one rotation by the push of a button. In this way marking is much simplified. A digital readout for the marking carrier makes the use of slide rules or measuring tape superfluous. When mounting the films of the different screens of a design, solid repeat slides enable a highly reproducible result.

**NO SIDE LIGHTING**

As a parallel beam of light is formed in the new lamp housing, side lighting is avoided. Side lighting is the phenomenon that occurs when a beam of light falls at an angle onto the film which leads to exposure of a larger section of the lacquer than intended by the film. This causes inaccuracy in design reproduction. This problem is prevented by exposing the film with a parallel beam of light.

**THE RSE 3300 EXPOSER**

- Easy change of repeat (up to 1168 mm)
- Reproducible and accurate exposure
- Semi-digital marking system for fast and accurate work
- In accordance with CE safety standard



	Dimensions in mm				Max. screen length	Installation area in mm		
	A	B	C	D		E	Height	
RSE 3310	3800	1100	1560	2080	2000	6800	2000	
RSE 3330	5300	1100	1560	3500	2000	9800	2000	

P = 5.5 kVA.  
 Room must be clean and dustless.